

6-FMXH Series

Front Terminal High Temperature Battery
6-FMXH-150B



SHUANGDENG GROUP

shoto



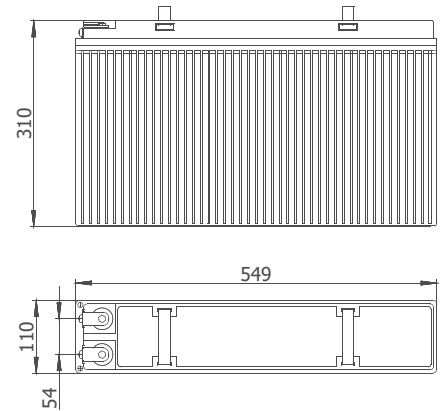
Main Applications

- High temperature environment (35°C)
- Outdoor base station
- Floating operation site
- UPS

Benefits

- Reduce operational cost (less cooling consumption)
- Reduce CO₂ emission
- Secure operation under high temperature up to 55°C
- Double floating life vs. traditional VRLA battery under 35°C

Dimensions



Technical Parameters

Nominal Voltage	12 V
Capacity	150 Ah @10hr to 1.80 V per cell @ 25°C(77°F) 155 Ah @10hr to 1.80 V per cell @ 35°C(95°F)
Weight	49 kg (108.03 lbs)
Dimensions	Length: 549 mm (21.61 in) Width: 110 mm (4.33 in) Height: 310 mm (12.20 in)
Internal Resistance (full charged)	3.7mΩ
Short- circuit Current	2466 A
Self Discharge @ 35°C(95°F)	Less than 4% after 30 days storage
Operating Temperature Range	Discharge: -40°C ~ 65°C(-40°F ~ 149°F) Charge: -20°C ~ 45°C(-4°F ~ 113°F) Storage: -20°C ~ 40°C(-4°F ~ 104°F)
Recommended Operating Temperature	15°C ~ 35°C(59°F ~ 95°F)
Recommended Charging Current	30 A
Charging Voltage @35°C(95°F)	Float: 2.23 V/cell Equalize: 2.35 V/cell
Terminal	M6
Container Materials	High Temp ABS/High Temp ABS V0 (Optional)
Capacity Affected by Temperature(C ₁₀)	105% @ 40°C(104°F) 85% @ 0°C(32°F) 60% @ -20°C(-4°F)
Design Life @35°C(95°F)	10 years

Certification

- ISO9001:2008
- ISO14001:2004
- GB/T 28001-2011
- UL
- CE

Technical Features

- Good performance for continuous operation up to 35°C
- Extend service life under high temperature
- Excellent over discharge recovery capability

6-FMXH Series

Front Terminal High Temperature Battery

6-FMXH-150B



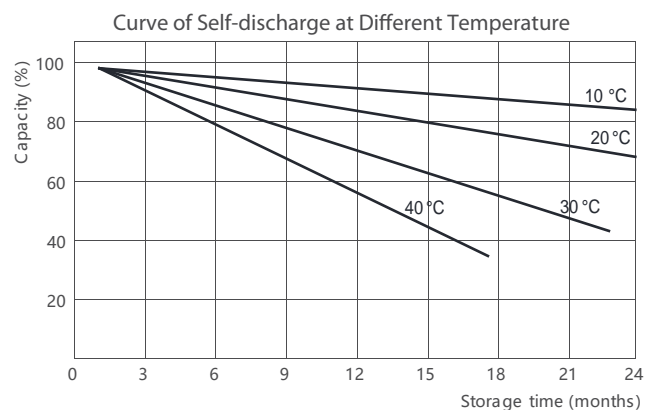
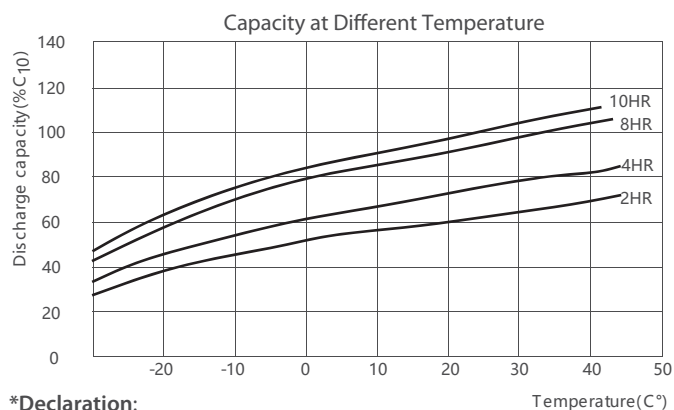
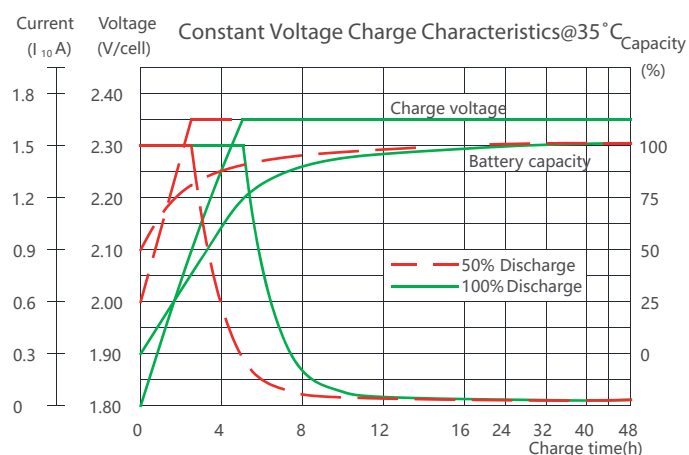
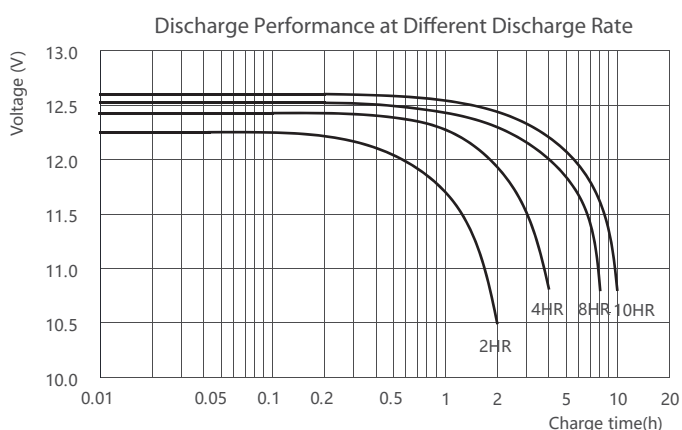
Constant Current Discharge Characteristics Unit: A (35°C, 95°F)

F.V/Time	30min	1hr	2hr	3hr	4hr	5hr	6hr	8hr	10hr	12hr
1.70V	150.0	85.5	51.6	39.6	32.6	26.9	22.7	18.3	15.2	12.7
1.75V	141.9	82.7	51.0	38.9	32.1	26.6	22.5	18.2	15.1	12.6
1.80V	135.6	81.2	50.4	38.0	31.5	26.3	22.3	18.1	15.0	12.5
1.83V	131.0	77.9	49.8	37.7	31.2	26.0	22.2	18.0	14.9	12.4
1.85V	126.2	75.3	49.4	37.2	30.9	25.8	22.1	17.9	14.8	12.3

Constant Power Discharge Characteristics Unit: W/cell (35°C, 95°F)

F.V/Time	30min	1hr	2hr	3hr	4hr	5hr	6hr	8hr	10hr	12hr
1.70V	275.7	158.9	98.9	78.0	64.8	53.4	44.7	36.6	30.4	25.4
1.75V	263.7	156.0	98.3	76.8	64.1	52.8	44.4	36.4	30.2	25.3
1.80V	255.2	154.2	97.8	75.6	63.2	52.4	44.0	36.3	30.1	25.2
1.83V	249.5	149.0	97.1	74.9	62.7	51.9	43.7	36.2	30.0	25.1
1.85V	243.2	145.5	96.6	74.6	62.3	51.6	43.5	36.1	29.9	25.0

Performance curve



*Declaration:

This information is generally descriptive only and is not intended to make or imply any representation, guarantee or warranty with respect to any cells and batteries. Cell and battery designs/specifications are subject to modification without notice. Contact CHINASHOTO for the latest information.

Welcome to Visit : www.chinashoto.com